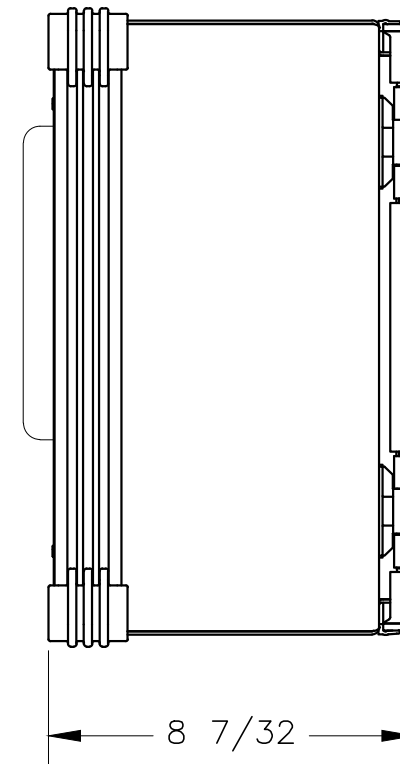
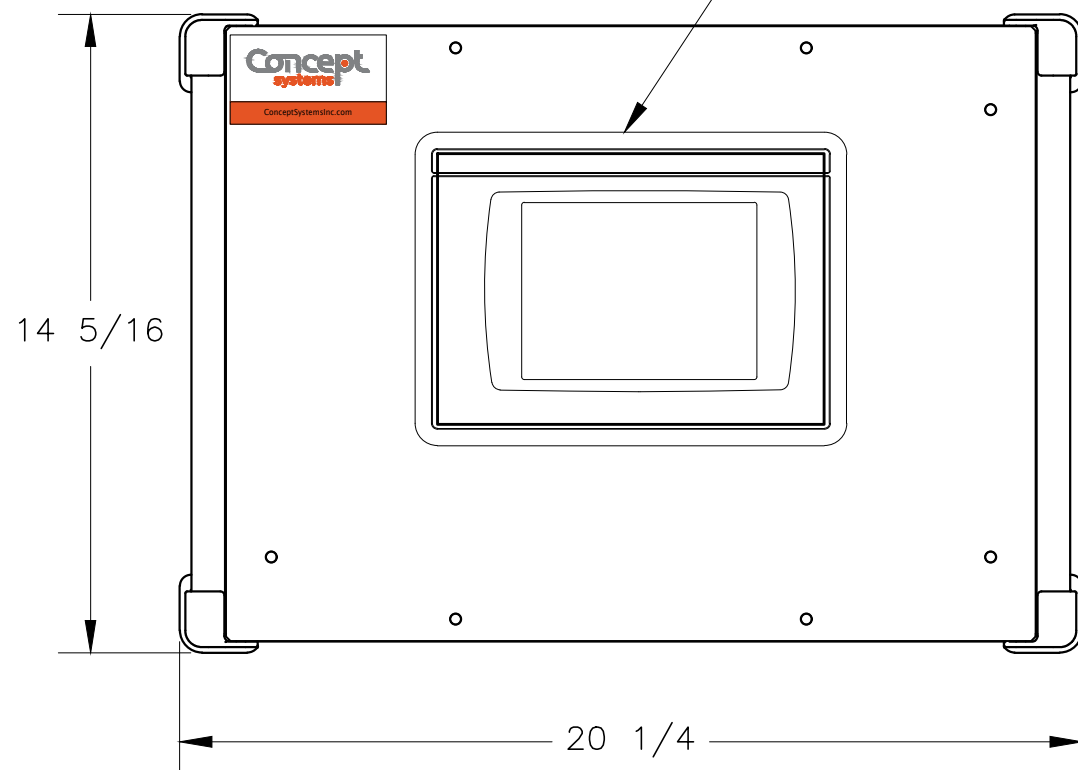


HMI DEPICTED IS FOR REFERENCE ONLY AND IS DETERMINED BY CUSTOMER SELECTION



PENDANT MOUNT ENCLOSURE DIMENSIONS